

SPECIFICATION KZM0501000C

客户:

CUSTOMER _____

客户料号:

CUSTOMER PART NO _____

承 认 书

SPECIFICATION FOR APPROVAL

产品型号:

KZM0501000C/CCC (SWITCHING ADAPTER)

PART NO _____

品名规格:

INPUT:180-240V AC 50Hz OUTPUT:5V DC 1A

DESCRIPTION _____

产品料号:

PART NO _____

承认书编号:

KZ/E230213A10

SHEET NO _____

| 制 造 商 MANUFACTURE | | | 客 户 承 认 印 CUSTOMER APPROVE |
|----------------------|----------------|-----------------|-------------------------------|
| 制 图 DRAWN | 审 核 CHECKED | 批 准 APPROVED | 请客户确认回传我司存档, 谢谢! |
| 刘淼华 | 马廷刚 | 甘坚业 | |



深圳市鑫聚康科技有限公司

地址: 广东省深圳市宝安区71区留仙二路D栋四楼

电话: 0755-29991385、0755-29991355 传真: 0755-27805013

E-mail: info@xjkadapter.com

VER:0

2023-02-13

KZ

KZM0501000C

PAGE:1/10

SPECIFICATION
技术规格说明书
TABLE OF CONTENTS
目录

1. 概述/SCOPE
2. 环境要求/ENVIRONMENTAL REQUIREMENTS
3. 输入特性/INPUT CHARACTERISTICS
4. 保护功能/ PROTECTION FUNCTION
5. DC 绝缘阻抗/DC INSULATION RESISTANCE
6. 高压测试/HIGH-VOLTAGE TEST
7. 浪涌电流/IN-RUSH CURRENT
8. 开关时间曲线/TIME SEQUENCE
9. 工作效率/WORK EFFCIENCY
10. 安全标准,EMC 标准/SAFETY /EMC STANDARD
11. 额定输出和电气指标/OUTPUT RATED & ELECTRICAL SPECIFICATIONS
12. 可靠性测试/RELIABLE TESTING
13. 测试电路/TESTING CIRCUIT
14. 外观图/OUTLOOK DRAWING
15. 铭牌/LABEL

SWITCHING ADAPTER SPECIFICATIONS

1. SCOPE

概述

此承认书用于规定 KZM0501000C 电源适配器的电气、机械特性以及外部环境要求等各方面的规格。

This files indicate the specifications about the electric, mechanical features and the conditions for the charger KZM0501000C.

2. ENVIRONMENTAL REQUIREMENTS

环境要求

Performance assurance temperature: 0°C ----- +40°C

性能保证温度

Storage temperature: -30°C ----- +85°C

储存温度

Operating humidity: 30% ----- 95%

操作湿度

Storage humidity: 30% ----- 98%

储存湿度

Operating bar: 1BAR

操作气压

3. INPUT CHARACTERISTICS

输入特性

Regular input voltage: AC 180V – AC 240V

稳定输入电压

Variable input voltage range: AC 162V – AC 265V

可变输入电压范围

Regular frequency: 50Hz

额定频率

Frequency range: 47Hz--53Hz

频率范围

Input current: 0.3Arms MAX (at reguar voltage & current)

输入电流（在稳定输入电压电流下）

SWITCHING ADAPTER SPECIFICATIONS

4. PROTECTION FUNCTION

保护功能

4.1 过电流保护 Over current protection.

过流保护电路能保证本产品在过流状态下不会损坏。

Over current protection's circuit can guarantee that the production is unable damaged under the state.

4.2 短路保护 Short circuit protect.

当输出端出现短路现象时，本产品进入打嗝保护状态。

When the fan-out is appearing short circuit electrophoresis , this production is putting in belch protect state.

5. DC INSULATION RESISTANCE

DC 绝缘阻抗

Input—Output: 50MΩ minimum(at 500VDC)

输入—输出

Input—Body Metal: 50MΩ minimum(at 500VDC)

输入—人体接触点

6. HIGH-VOLTAGE TEST

高压测试

Input—Output:3000V AC 5mA minimum(3S)

输入—输出

Input—Body Metal: 1500V AC 5mA minimum(3S)

输入—人体接触点

7. IN-RUSH CURREN

浪涌电流

当输出为额定负载，环境温度为 25°C,输入 240Vac 冷启动时的最大浪涌电流为 30A。

30 A mps Max Cold start at 240Vac input ,with rated load and 25°C ambient.

SWITCHING ADAPTER SPECIFICATIONS

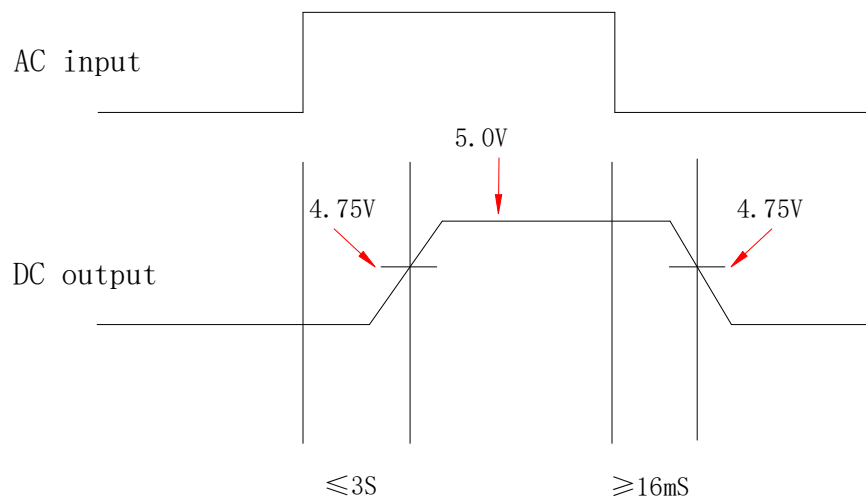
8. TIME SEQUENCE

开关时间曲线

Time sequence should be satisfied to power ON/OFF

时间顺序符合下列曲线

AC switch at ON/OFF

**9. WORK EFFICIENCY**

工作效率

在额定输入电压和额定负载条件下，工作效率（输出功率/输入功率） $\geq 68.17\%$ 。**The working efficiency (output/input power) is more than 68.17% under the terms of rated input voltage and rated load****10. SAFETY /EMC STANDARD**

符合标准 GB8898

SWITCHING ADAPTER SPECIFICATIONS

11. OUTPUT RATED & ELECTRICAL SPECIFICATIONS

额定输出和电气指标

Rated output voltage ----- 5.0V

额定输出电压

Rated output current ----- 1000mA

额定输出电流

Line Regulation ----- $\pm 2\%$

源调整率

Max. output voltage ----- 5.35V DC(no Load)

最大输出电压

Min. output voltage ----- 4.75V DC(Load)

最小输出电压

Load Regulation ----- $\pm 6\%$

负载调整率

Ripple & Noise ----- 400mVp-pMax

纹波

Rated output power ----- 5W

额定输出功率

Insulation class ----- II

绝缘等级

Short Circuit Protection ----- 长期, 自恢复

短路保护

No-load power consumption ----- $< 0.15W$

空载功耗

**※ Ripple & Noise Test: Add 0.1Uf/50V ceramic capacitor across the
Output termianl,And measured with 20MHz Bandwhith Oscilloscope**

SWITCHING ADAPTER SPECIFICATIONS

12. RELIABLE TESTING

可靠性测试

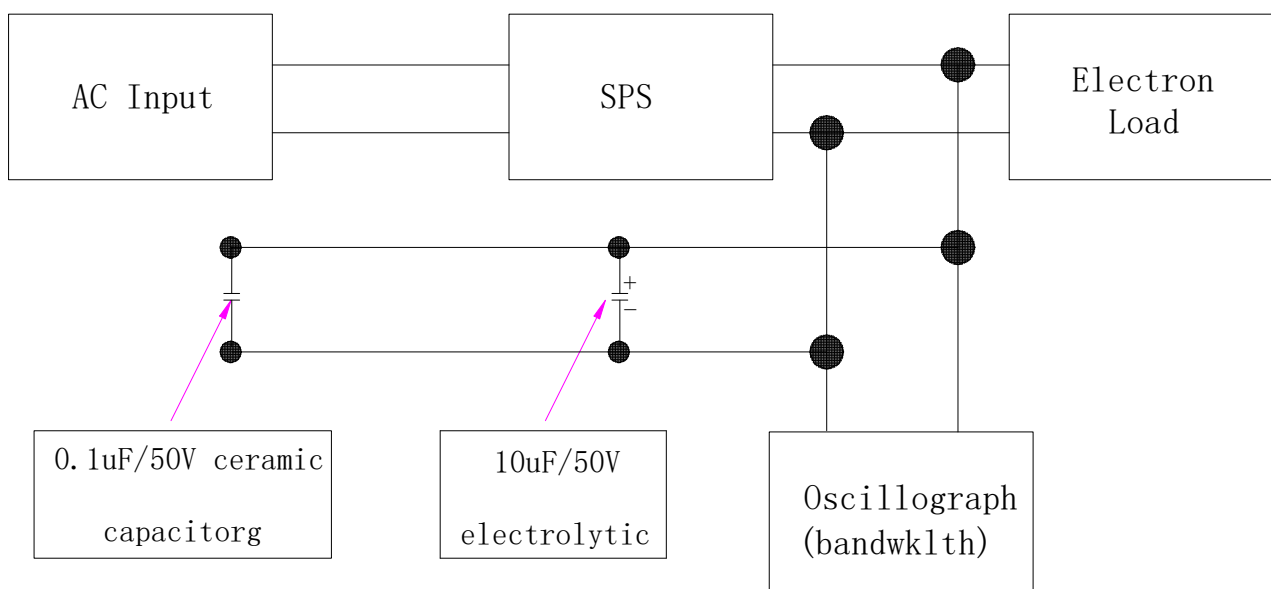
跌落测试 Drop test

高度为 1000mm，实验台厚度为 20mm 的硬质木板，6 个表面，每个方向 1 次。实验后对外观进行检查，并进行绝缘电阻、绝缘强度及电性能进行重新测试。外观应平整无划痕、毛刺以及其他机械损伤，外露金属部分不应有锈蚀；无击穿、飞弧现象；绝缘电阻大于 50MΩ；电性能正常。

The altitude is 1000mm, use the 20mm hard board as the tool to test the item on each six side for one time per direction. After that, Retest its appearance, insulated resistance and intensity, the indication function and electric characteristic. The appearance should be level and un-nick, without scrape and other mechanical damages. The outdoor metals should not be rusted and destroyed. The insulated resistance is more than 50 MΩ, the indication function and the electric characteristic should be in working order.

13. TESTING CIRCUIT

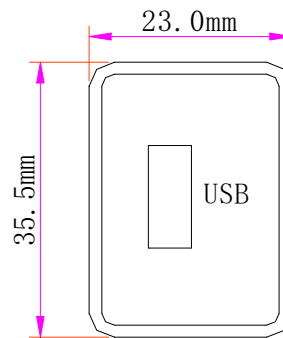
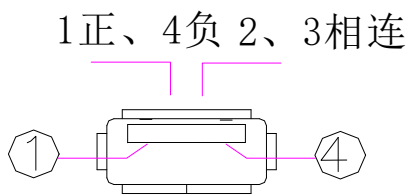
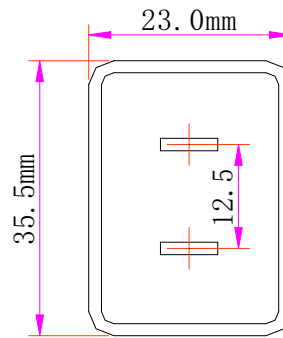
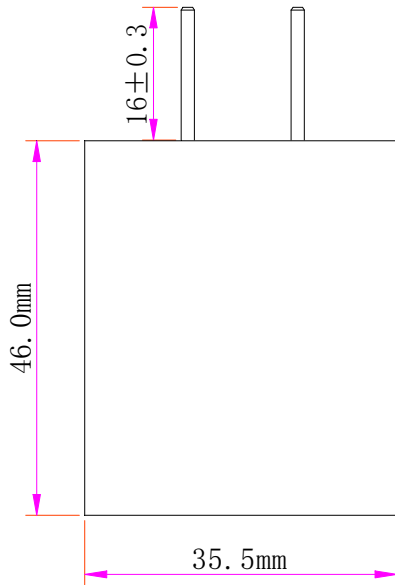
测试电路



SWITCHING ADAPTER SPECIFICATIONS

14. OUTLOOK DRAWIN

外观图



15. LABEL

铭牌

45

